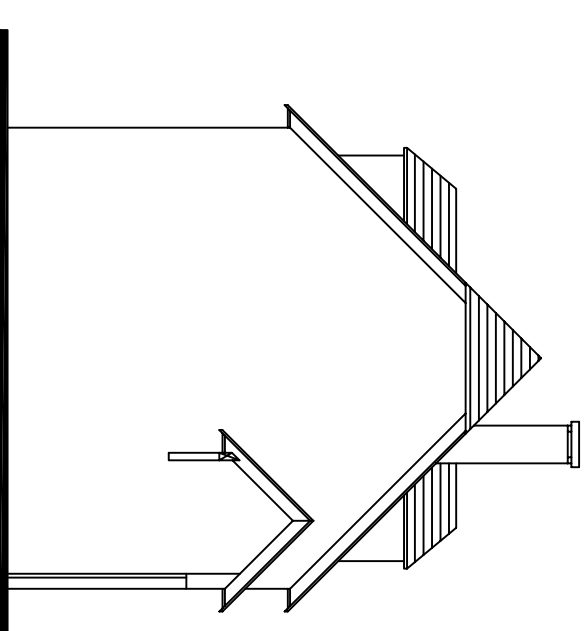
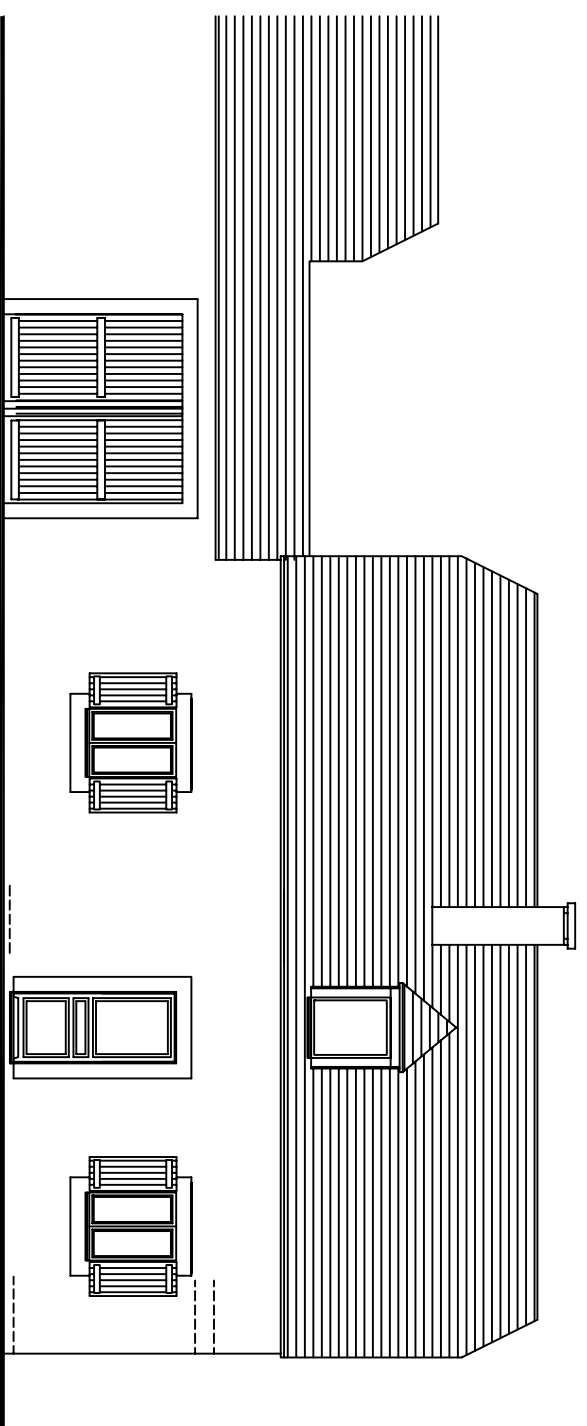


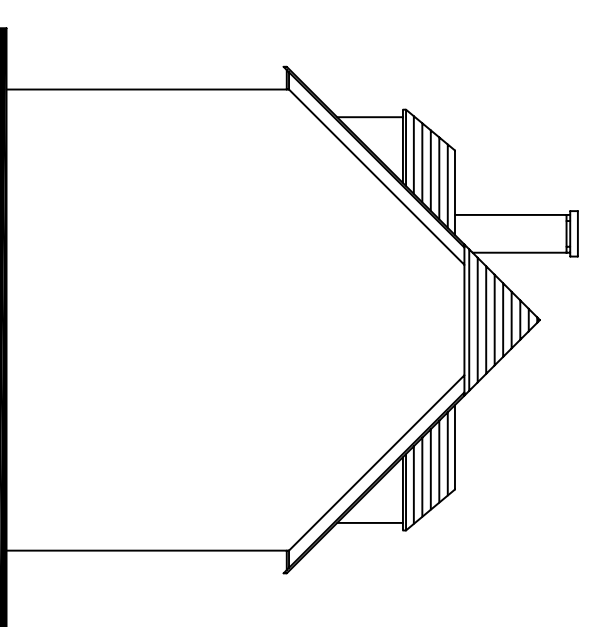
FACADE SUD



FACADE EST



FACADE NORD



FACADE OUEST